



giorgio collection

LUXURY EXPERIENCE
MADE IN ITALY

TRÉSOR



giorgio collection

LUXURY EXPERIENCE
MADE IN ITALY





giorgio collection

LUXURY EXPERIENCE
MADE IN ITALY

TRÉSOR collection

Trésor harmoniously fits into the Giorgio collection's production landscape: defined by quality, sophistication and craftsmanship. Curved lines are the soul of this collection, skillfully intertwining in both upholstered pieces and complements, they create a welcoming and exclusive atmosphere. It is an ode to timeless elegance and refined details.

At the heart of the collection, we find a family of sofas with an embracing and inviting appearance, consisting of upholstered modules that blend together, offering an infinite variety of compositions. Fixed and modular elements allow extreme customization. The ottomans, with or without integrated marble tops, introduce functionality and dynamism, allowing for open configurations and welcoming guests with style and practicality. Completing the range of upholstered pieces is an oversized occasional chair and a swivel armchair with a backrest in combination of bronzed satined stainless steel and upholstery. Both the sofas and armchairs are enriched by a quilt with a sinuous and elegant design and stainless steel details with a distinctive bronzed satined color that illuminates the masterpieces with precious reflections. The amber color takes center stage, contrasting with the silvery white of the fabrics and leathers to create an eclectic and modern space. The hand hammered fused glass coffee tables, with their suggestive wavy effect, stand out as luminous sculptures in the center of the living room, capturing the gaze with their design and materiality. Finally, the rugs, designed to harmonize with the sinuous shape of the sofas, echo the quilt design and upholstery colors, like waves stirred by the wind.

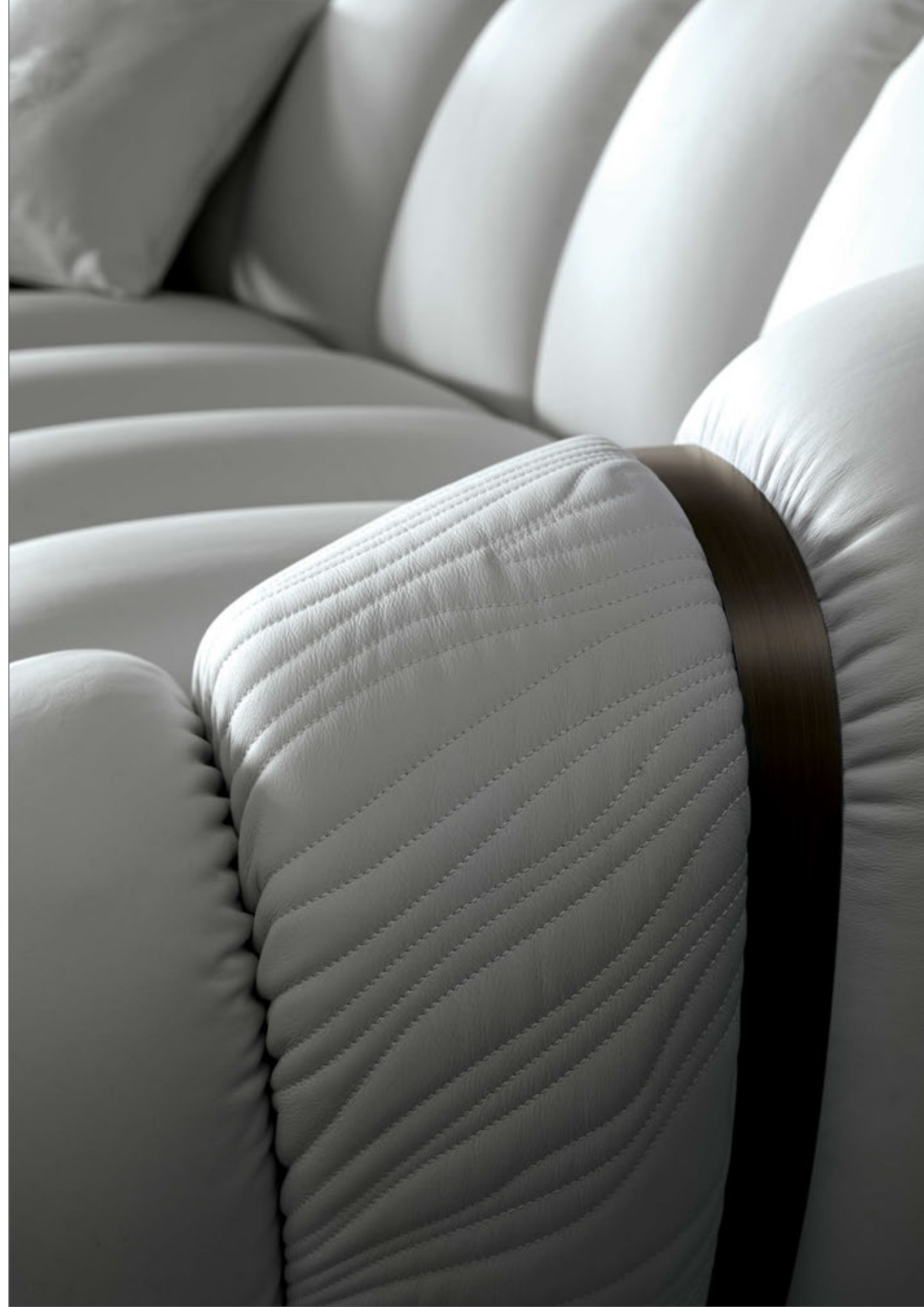
Trésor Collection is an invitation to immerse yourself in a world of luxury and comfort, where every detail enhances the essence of your home.

Design and Art direction by Castello Lagravinese Studio













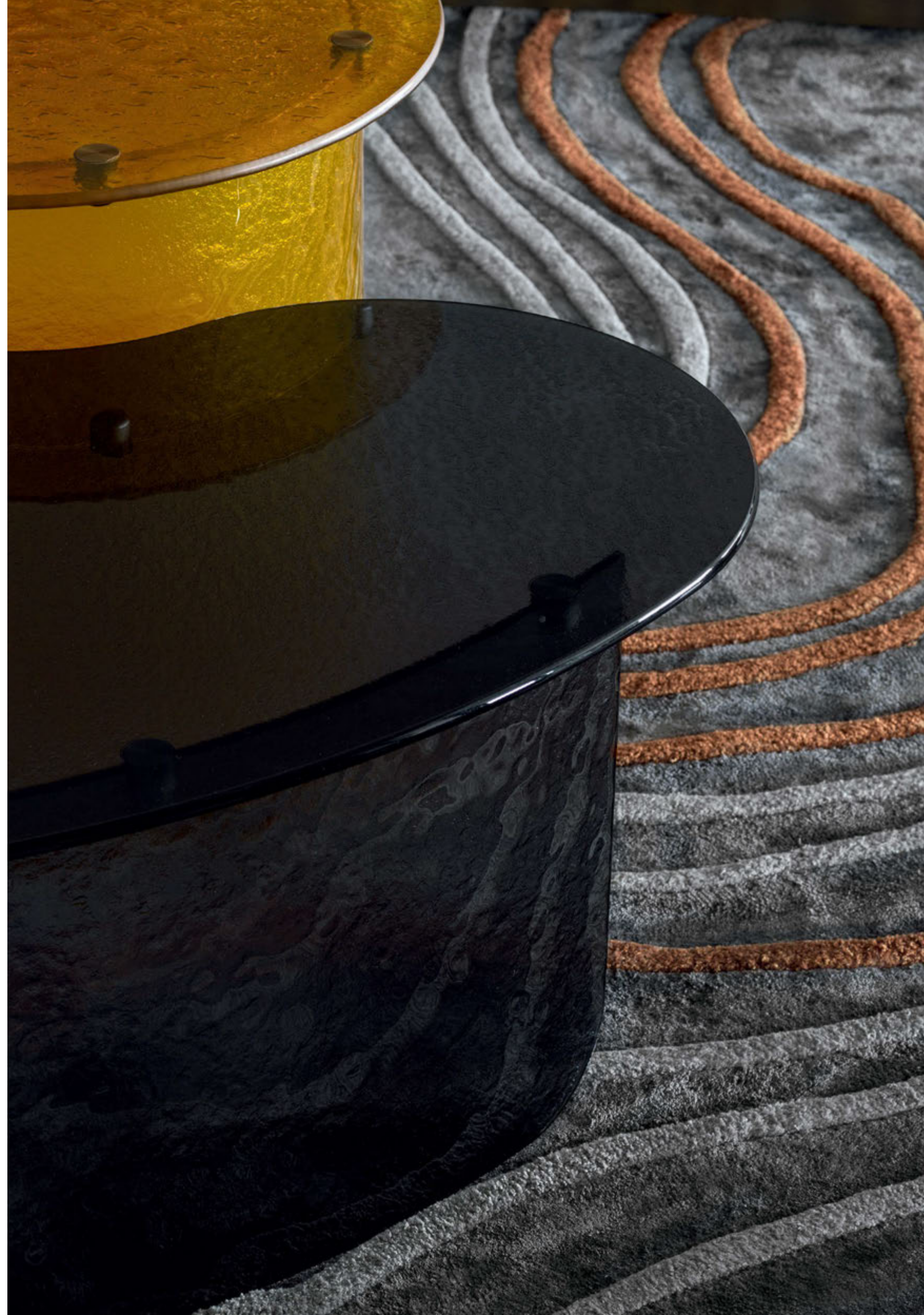










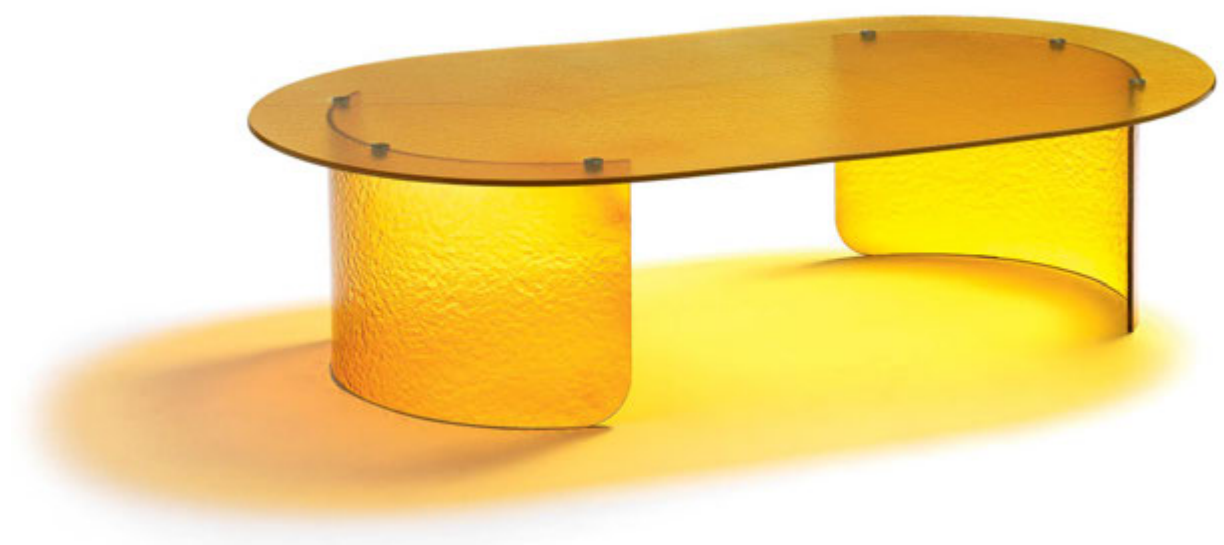


























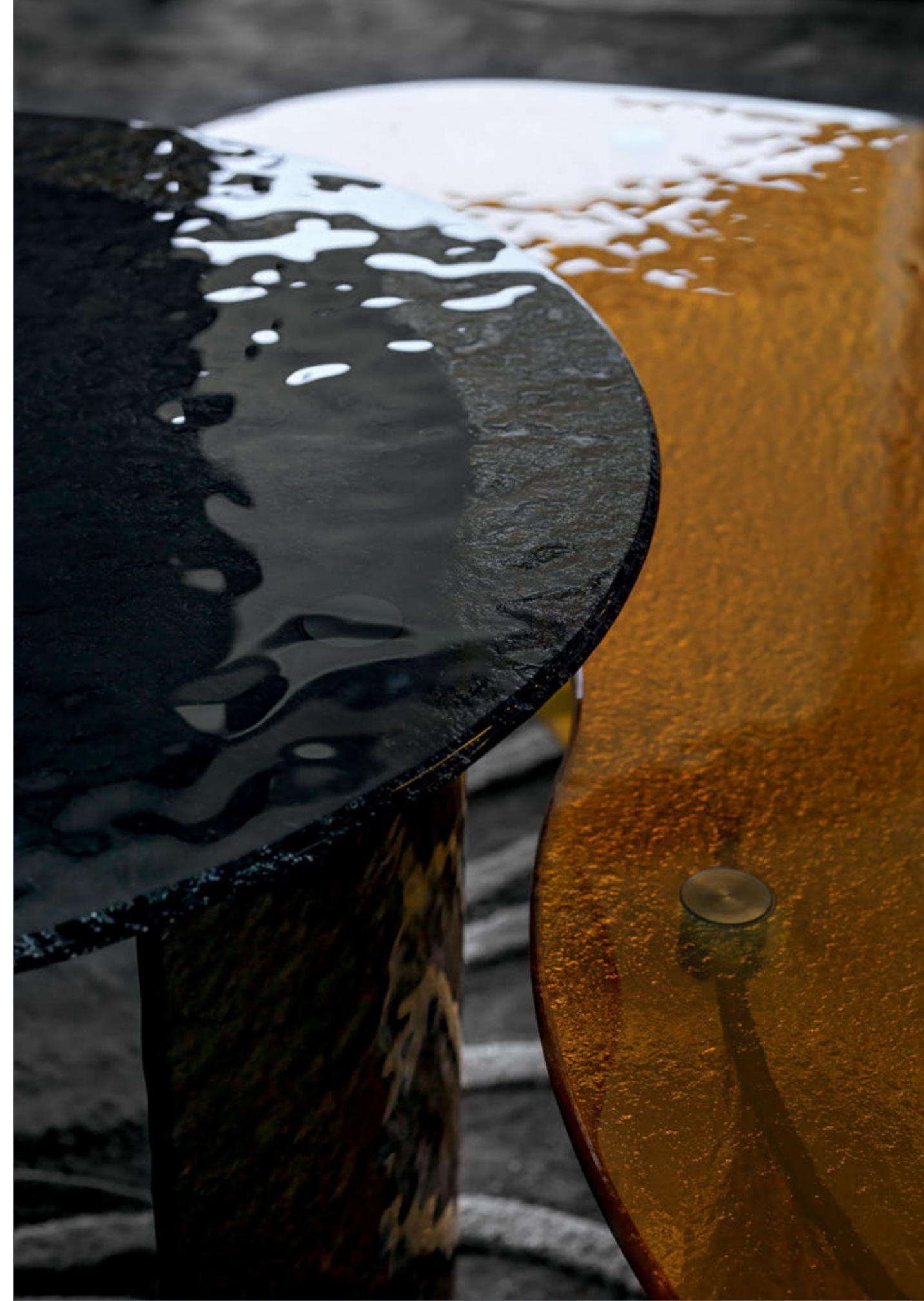








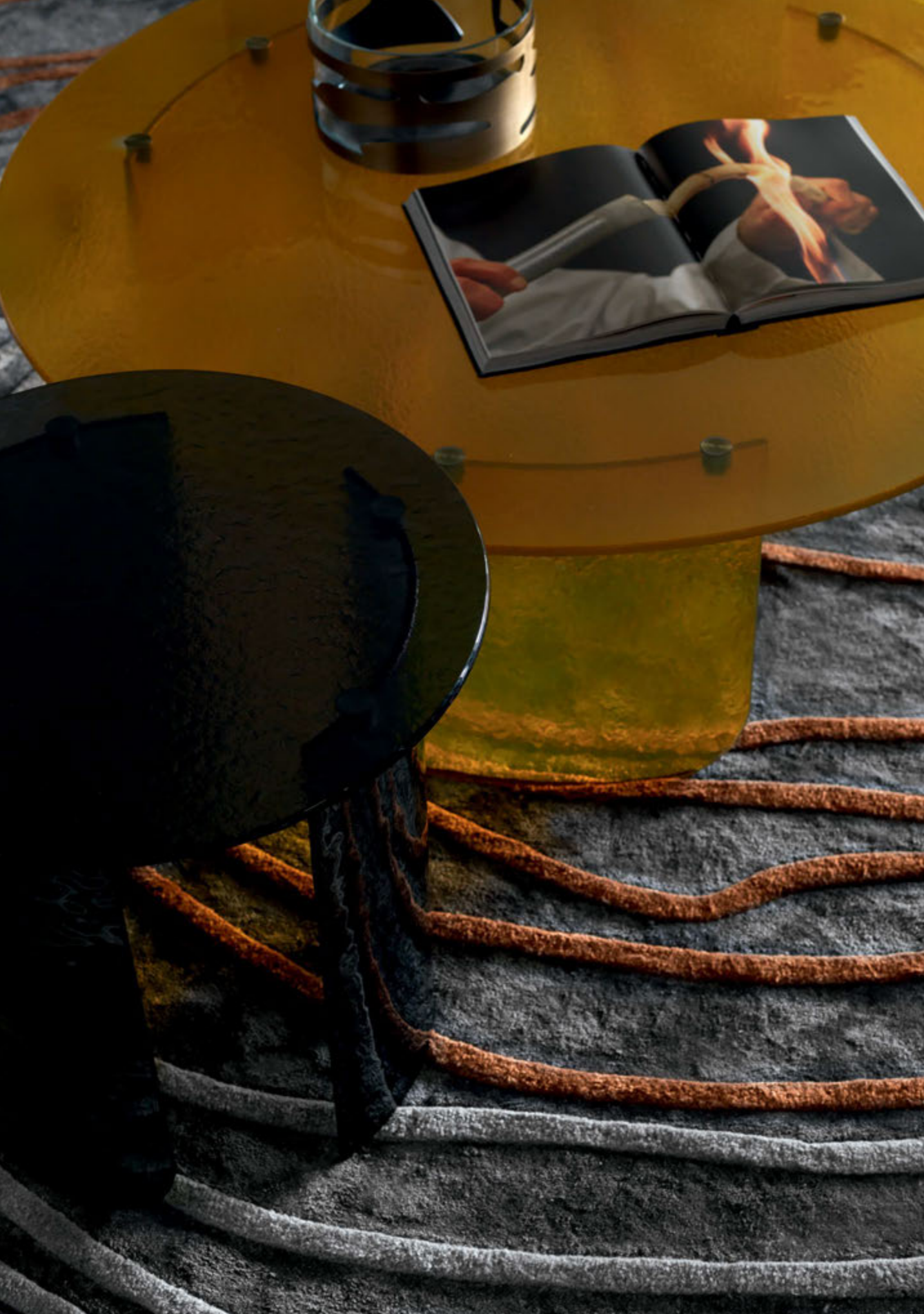




























ACCESSORIES











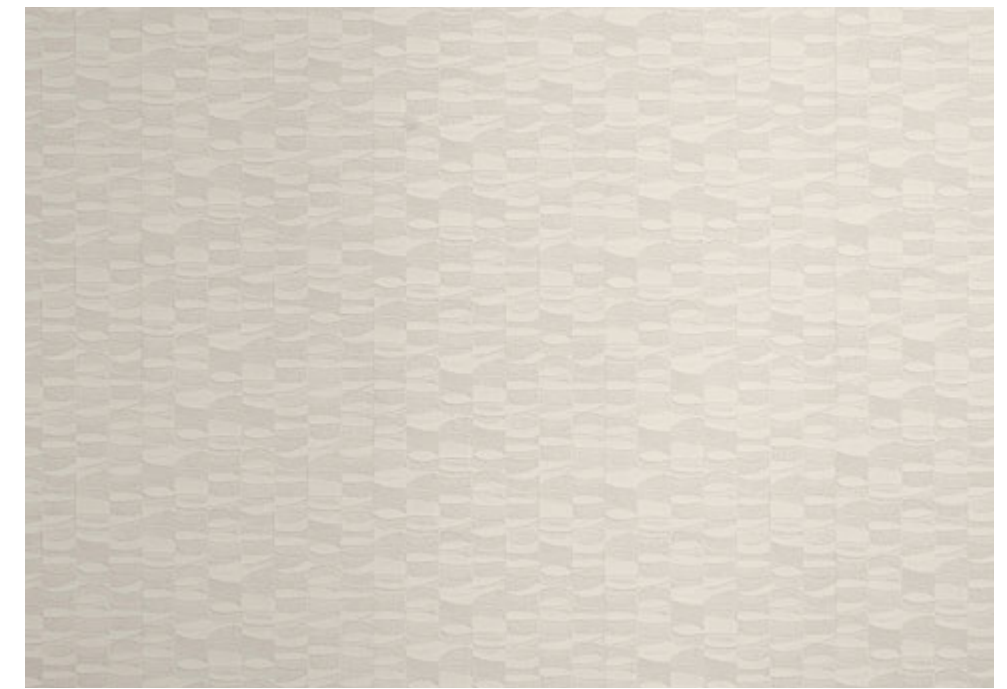
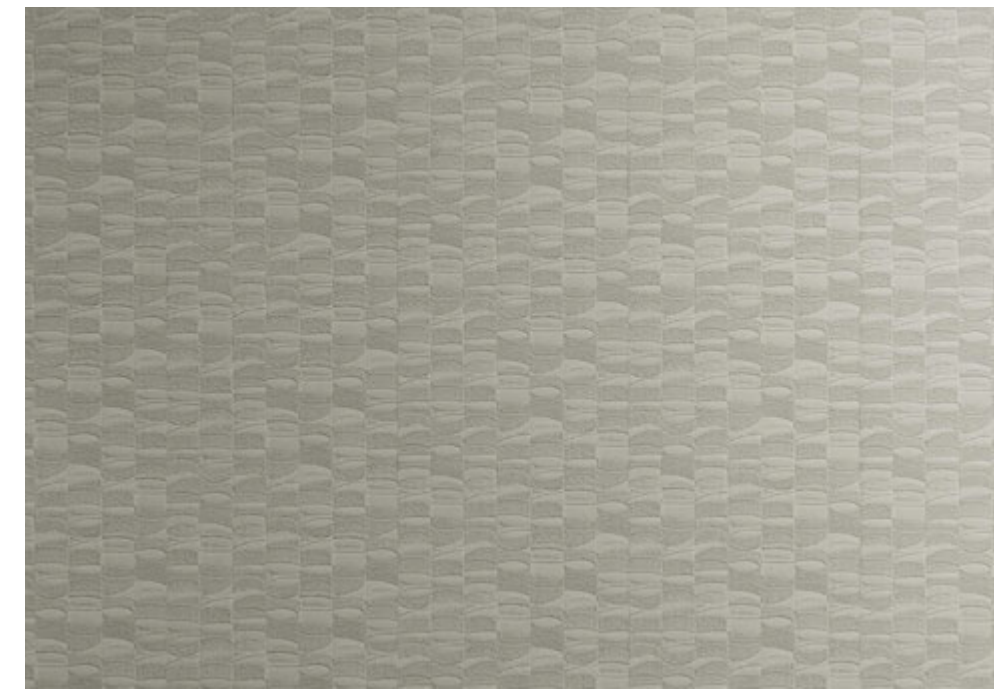
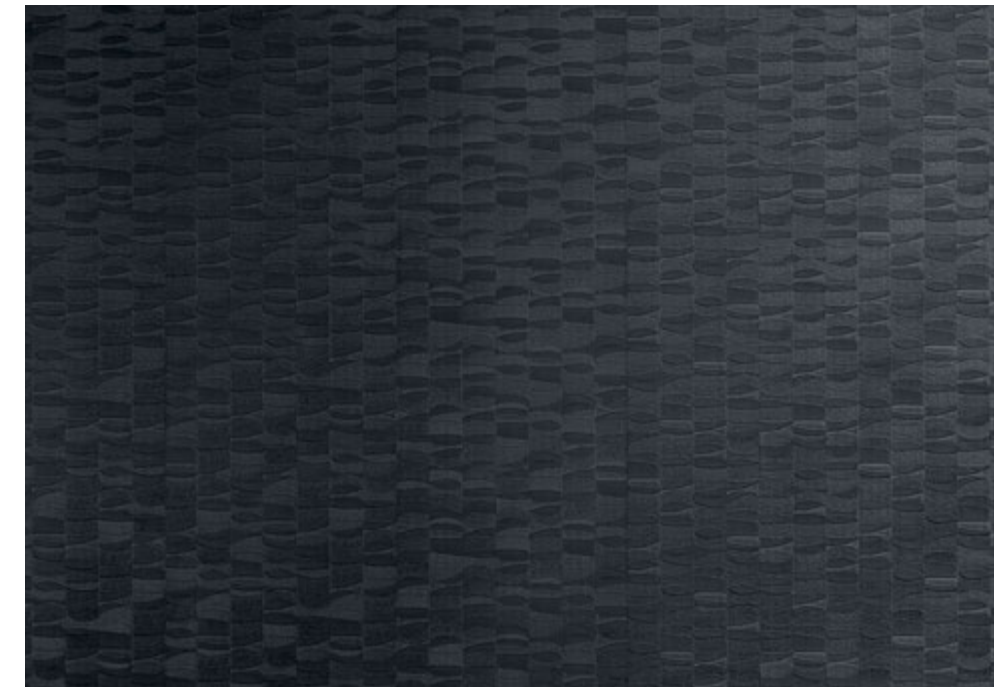
















TECHNICAL DETAILS



Art. **860/46/B BROWN** - Elliptical cocktail table

design by Castello Lagravinese Studio

Elliptical cocktail table with top and base in brown hand hammered fused glass.

Size: cm. 130L x 90W x 43H
Size: 51"L x 35½"W x 17"H



Art. **860/46/S SMOKE** - Elliptical cocktail table

design by Castello Lagravinese Studio

Elliptical cocktail table with top and base in smoke hand hammered fused glass.

Size: cm. 130L x 90W x 43H
Size: 51"L x 35½"W x 17"H



Art. **860/46/A AMBER** - Elliptical cocktail table

design by Castello Lagravinese Studio

Elliptical cocktail table with top and base in amber hand hammered fused glass.

Size: cm. 130L x 90W x 43H
Size: 51"L x 35½"W x 17"H



Art. **860/52/B BROWN** - Round cocktail table

design by Castello Lagravinese Studio

Round cocktail table with top and base in brown hand hammered fused glass.

Size: diam. cm. 125 x 43H
Size: diam. 49½" x 17"H



Art. **860/52/S SMOKE** - Round cocktail table

design by Castello Lagravinese Studio

Round cocktail table with top and base in smoke hand hammered fused glass.

Size: diam. cm. 125 x 43H
Size: diam. 49½" x 17"H



Art. **860/52/A AMBER** - Round cocktail table

design by Castello Lagravinese Studio

Round cocktail table with top and base in amber hand hammered fused glass.

Size: diam. cm. 125 x 43H
Size: diam. 49½" x 17"H



Art. **860/40/B BROWN** - Oval cocktail table

design by Castello Lagravinese Studio

Oval cocktail table with top and base in brown hand hammered fused glass.

Size: cm. 170L x 100W x 43H
Size: 67"L x 39½"W x 17"H



Art. **860/40/S SMOKE** - Oval cocktail table

design by Castello Lagravinese Studio

Oval cocktail table with top and base in smoke hand hammered fused glass.

Size: cm. 170L x 100W x 43H
Size: 67"L x 39½"W x 17"H



Art. **860/40/A AMBER** - Oval cocktail table

design by Castello Lagravinese Studio

Oval cocktail table with top and base in amber hand hammered fused glass.

Size: cm. 170L x 100W x 43H
Size: 67"L x 39½"W x 17"H



Art. **860/44/B BROWN** - Side table

design by Castello Lagravinese Studio

Side table with top and base in brown hand hammered fused glass.

Size: diam. cm. 60 x 55H
Size: diam. 23½" x 21½"



Art. **860/44/S SMOKE** - Side table

design by Castello Lagravinese Studio

Side table with top and base in smoke hand hammered fused glass.

Size: diam. cm. 60 x 55H
Size: diam. 23½" x 21½"



Art. **860/44/A AMBER** - Side table

design by Castello Lagravinese Studio

Side table with top and base in amber hand hammered fused glass.

Size: diam. cm. 60 x 55H
Size: diam. 23½" x 21½"



Art. **180/52** - Round cocktail table

Round cocktail table in bronzed stainless steel. Top in clear 10mm tempered glass. Base in marble with high gloss polyester finish.

Size: diam. cm. 120 x 40H
Size: diam. 47½" x 16"H



Art. **888/01** - Occasional swivel chair

design by Castello Lagravinese Studio

Occasional swivel chair available in first grade leather, nubuk leather, lizard printed leather, velvet or suede fabric. Chair seat and sides with double stitching in polyurethane foam wrapped in down feather. Quilted back with satined bronzed stainless steel structure. Seat height cm. 39.

Size: cm. 74L x 90W x 81H
Size: 29"W x 35½"D x 32"H

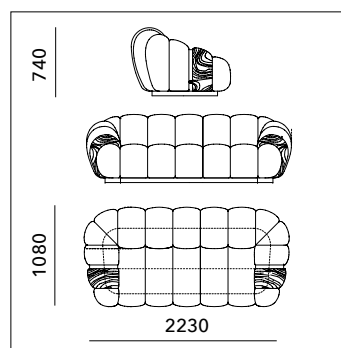


Art. **880/01** - Occasional chair

design by Castello Lagravinese Studio

Occasional chair available in first grade leather, nubuk leather, lizard printed leather, velvet or suede fabric. Chair seat and sides with double stitching in polyurethane foam wrapped in down feather. Quilted armrests. Base and metal trims on the armrests in satined bronzed stainless steel with Giorgio Collection logo. Seat height cm. 42.

Size: cm. 135L x 110W x 74H
Size: 53"W x 25½"D x 29"H

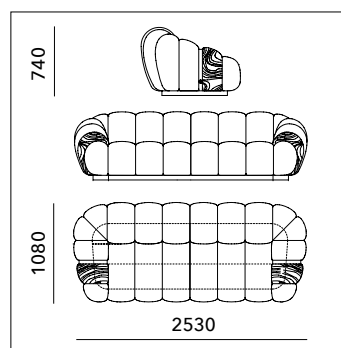


Art. **890/02** - Sofa 2 seats

design by Castello Lagravinese Studio

2 seater sofa available in first grade leather, nubuk leather, lizard printed leather, velvet or suede fabric. Sofa seats and sides with special stitching in polyurethane foam wrapped in down feather. Quilted armrests. Base and metal trims on the armrests in satined bronzed stainless steel with Giorgio Collection logo. Seat height cm. 42

Size: cm. 223L x 108W x 74H
Size: 88"W x 42½"D x 29"H

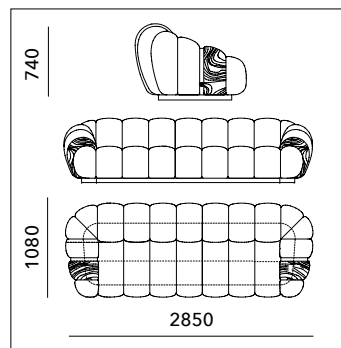


Art. **890/03** - Sofa 3 seats

design by Castello Lagravinese Studio

3 seater sofa available in first grade leather, nubuk leather, lizard printed leather, velvet or suede fabric. Sofa seats and sides with special stitching in polyurethane foam wrapped in down feather. Quilted armrests. Base and metal trims on the armrests in satined bronzed stainless steel with Giorgio Collection logo. Seat height cm. 42

Size: cm. 253L x 108W x 74H
Size: 100"L x 42½"W x 29"H

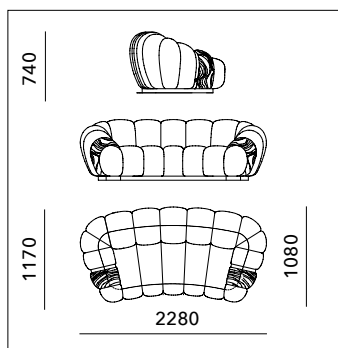


Art. **890/04** - Sofa 4 seats

design by Castello Lagravinese Studio

4 seater sofa available in first grade leather, nubuk leather, lizard printed leather, velvet or suede fabric. Sofa seats and sides with special stitching in polyurethane foam wrapped in down feather. Quilted armrests. Base and metal trims on the armrests in satined bronzed stainless steel with Giorgio Collection logo. Seat height cm. 42

Size: cm. 285L x 108W x 74H
Size: 112½"W x 42½"D x 29"H

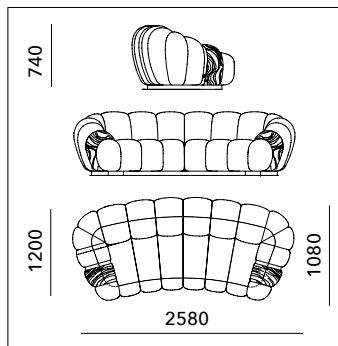


Art. 880/02 - Curved sofa 2 seats

design by Castello Lagravinese Studio

2 seater curved sofa available in first grade leather, nubuk leather, lizard printed leather, velvet or suede fabric. Sofa seats and sides with special stitching in polyurethane foam wrapped in down feather. Quilted armrests. Base and metal trims on the armrests in satined bronzed stainless steel with Giorgio Collection logo. Seat height cm. 42

Size: cm. 228L x 117W x 74H
Size: 90"W x 46"D x 29"H

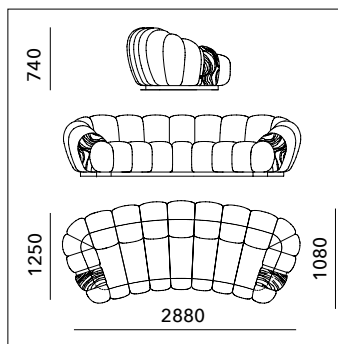


Art. 880/03 - Curved sofa 3 seats

design by Castello Lagravinese Studio

3 seater curved sofa available in first grade leather, nubuk leather, lizard printed leather, velvet or suede fabric. Sofa seats and sides with special stitching in polyurethane foam wrapped in down feather. Quilted armrests. Base and metal trims on the armrests in satined bronzed stainless steel with Giorgio Collection logo. Seat height cm. 42

Size: cm. 258L x 120W x 74H
Size: 101½"W x 47½"D x 29"H

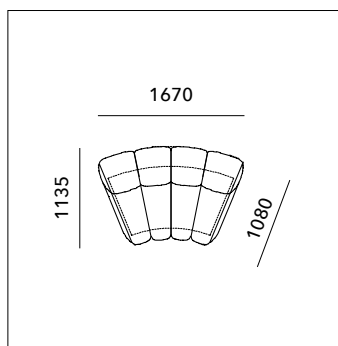


Art. 880/04 - Curved sofa 4 seats

design by Castello Lagravinese Studio

4 seater curved sofa available in first grade leather, nubuk leather, lizard printed leather, velvet or suede fabric. Sofa seats and sides with special stitching in polyurethane foam wrapped in down feather. Quilted armrests. Base and metal trims on the armrests in satined bronzed stainless steel with Giorgio Collection logo. Seat height cm. 42

Size: cm. 288L x 125W x 74H
Size: 113½"W x 49½"D x 29"H

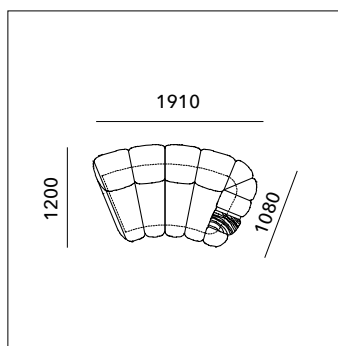


Art. TRÉSOR modular sofa central unit

design by Castello Lagravinese Studio

Modular sofa central unit available in first grade leather, nubuk leather, lizard printed leather, velvet or suede fabric. Sofa seat and sides with special stitching in polyurethane foam wrapped in down feather. Base in satined bronzed stainless steel. Seat height cm. 42

Size: cm. 167L x 114W x 74H
Size: 66"W x 45"D x 29"H

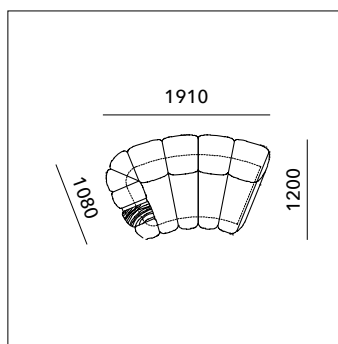


Art. TRÉSOR modular sofa left side unit

design by Castello Lagravinese Studio

Modular sofa left side unit available in first grade leather, nubuk leather, lizard printed leather, velvet or suede fabric. Sofa seats and sides with special stitching in polyurethane foam wrapped in down feather. Quilted armrest. Base and metal trims on the armrest in satined bronzed stainless steel with Giorgio Collection logo. Seat height cm. 42

Size: cm. 191L x 120W x 74H
Size: 75½"L x 47½"W x 29"H

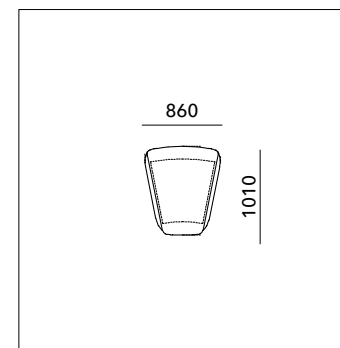


Art. TRÉSOR modular sofa right side unit

design by Castello Lagravinese Studio

Modular sofa right side unit available in first grade leather, nubuk leather, lizard printed leather, velvet or suede fabric. Sofa seats and sides with special stitching in polyurethane foam wrapped in down feather. Quilted armrest. Base and metal trims on the armrest in satined bronzed stainless steel with Giorgio Collection logo. Seat height cm. 42

Size: cm. 191L x 120W x 74H
Size: 75½"L x 47½"W x 29"H

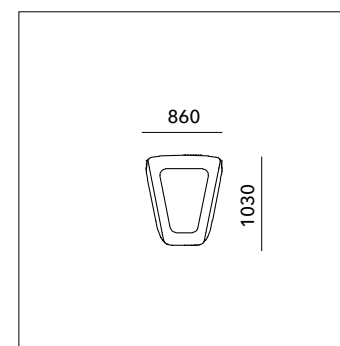


Art. TRÉSOR modular sofa ottoman

design by Castello Lagravinese Studio

Modular sofa ottoman with marble top available in first grade leather, nubuk leather, lizard printed leather, velvet or suede fabric. Sofa seat and sides with special stitching in polyurethane foam wrapped in down feather. Base in satined bronzed stainless steel.

Size: cm. 86L x 101W x 42H
Size: 34"L x 40"W x 17"H

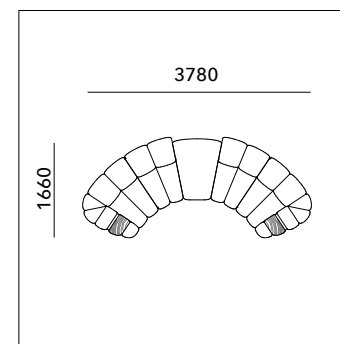


Art. TRÉSOR modular sofa ottoman with marble top

design by Castello Lagravinese Studio

Modular sofa ottoman with marble top available in first grade leather, nubuk leather, lizard printed leather, velvet or suede fabric. Sofa seat and sides with special stitching in polyurethane foam wrapped in down feather. Base in satined bronzed stainless steel.

Size: cm. 86L x 103W x 42H
Size: 34"L x 40"W x 17"H

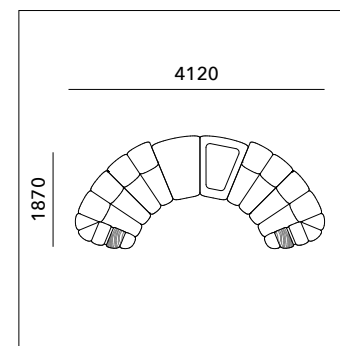


Art. TRÉSOR composition n. 1 - modular sofa cm 378X166

design by Castello Lagravinese Studio

Modular sofa available in first grade leather, nubuk leather, lizard printed leather, velvet or suede fabric. Sofa seats and sides with special stitching in polyurethane foam wrapped in down feather. Quilted armrests. Base and metal trims on the armrests in satined bronzed stainless steel with Giorgio Collection logo. Seat height cm. 42.

Size: cm. 378L x 166W x 74H
Size: 149"L x 65½"W x 29"H

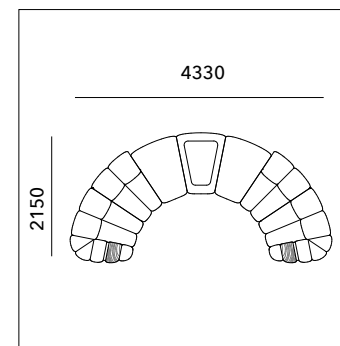


Art. TRÉSOR composition n. 2 - modular sofa cm 412X187

design by Castello Lagravinese Studio

Modular sofa available in first grade leather, nubuk leather, lizard printed leather, velvet or suede fabric. Sofa seats and sides with special stitching in polyurethane foam wrapped in down feather. Quilted armrests. Base and metal trims on the armrests in satined bronzed stainless steel with Giorgio Collection logo. Seat height cm. 42.

Size: cm. 412L x 187W x 74H
Size: 162½"L x 74"W x 29"H

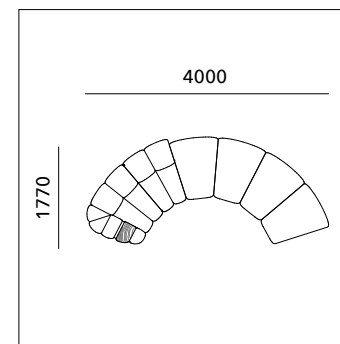


Art. TRÉSOR composition n. 3 - modular sofa cm 433X215

design by Castello Lagravinese Studio

Modular sofa available in first grade leather, nubuk leather, lizard printed leather, velvet or suede fabric. Sofa seats and sides with special stitching in polyurethane foam wrapped in down feather. Quilted armrests. Base and metal trims on the armrests in satined bronzed stainless steel with Giorgio Collection logo. Seat height cm. 42.

Size: cm. 433L x 215W x 74H
Size: 170½"L x 85"W x 29"H

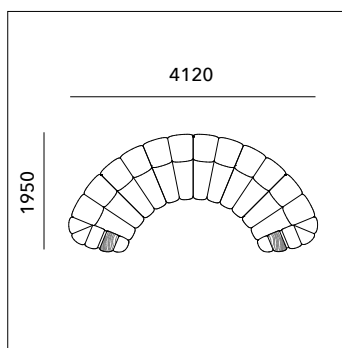


Art. TRÉSOR composition n. 4 - modular sofa cm 400X177

design by Castello Lagravinese Studio

Modular sofa available in first grade leather, nubuk leather, lizard printed leather, velvet or suede fabric. Sofa seats and sides with special stitching in polyurethane foam wrapped in down feather. Quilted armrest. Base and metal trims on the armrest in satined bronzed stainless steel with Giorgio Collection logo. Seat height cm. 42.

Size: cm. 400L x 177W x 74H
Size: 157½"L x 67"W x 29"H

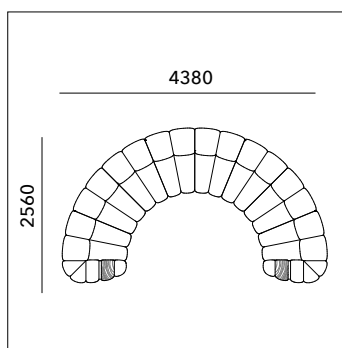


Art. TRÉSOR composition n. 5 - modular sofa cm 412X195

design by Castello Lagravinese Studio

Modular sofa available in first grade leather, nubuk leather, lizard printed leather, velvet or suede fabric. Sofa seats and sides with special stitching in polyurethane foam wrapped in down feather. Quilted armrests. Base and metal trims on the armrests in satined bronzed stainless steel with Giorgio Collection logo. Seat height cm. 42.

Size: cm. 412L x 195W x 74H
Size: 162½"L x 77"W x 29"H

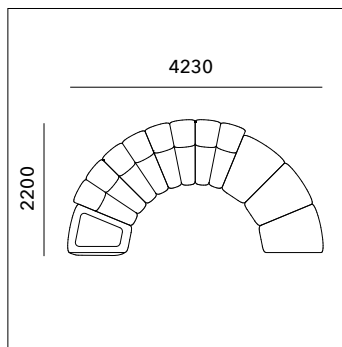


Art. TRÉSOR composition n. 6 - modular sofa cm 438X256

design by Castello Lagravinese Studio

Modular sofa available in first grade leather, nubuk leather, lizard printed leather, velvet or suede fabric. Sofa seats and sides with special stitching in polyurethane foam wrapped in down feather. Quilted armrests. Base and metal trims on the armrests in satined bronzed stainless steel with Giorgio Collection logo. Seat height cm. 42.

Size: cm. 438L x 256W x 74H
Size: 172½"L x 101"W x 29"H

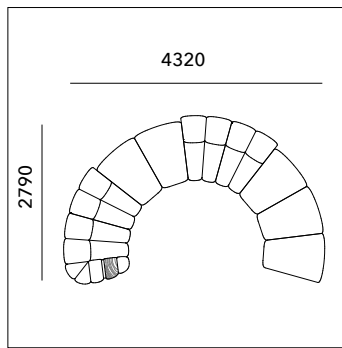


Art. TRÉSOR composition n. 7 - modular sofa cm 423X220

design by Castello Lagravinese Studio

Modular sofa available in first grade leather, nubuk leather, lizard printed leather, velvet or suede fabric. Sofa seats and sides with special stitching in polyurethane foam wrapped in down feather. Base in satined bronzed stainless steel. Seat height cm. 42.

Size: cm. 423L x 220W x 74H
Size: 166½"L x 87"W x 29"H

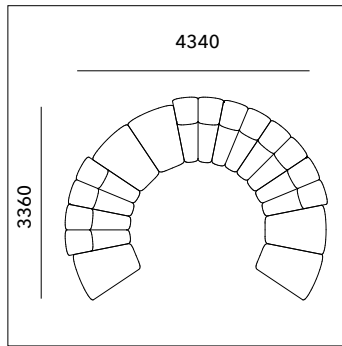


Art. TRÉSOR composition n. 8 - modular sofa cm 432X279

design by Castello Lagravinese Studio

Modular sofa available in first grade leather, nubuk leather, lizard printed leather, velvet or suede fabric. Sofa seats and sides with special stitching in polyurethane foam wrapped in down feather. Quilted armrest. Base and metal trims on the armrest in satined bronzed stainless steel with Giorgio Collection logo. Seat height cm. 42.

Size: cm. 432L x 110W x 74H
Size: 170"L x 41½"W x 29"H

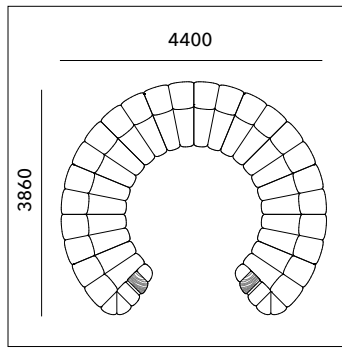


Art. TRÉSOR composition n. 9 - modular sofa cm 434X336

design by Castello Lagravinese Studio

Modular sofa available in first grade leather, nubuk leather, lizard printed leather, velvet or suede fabric. Sofa seats and sides with special stitching in polyurethane foam wrapped in down feather. Base in satined bronzed stainless steel. Seat height cm. 42.

Size: cm. 434L x 336W x 74H
Size: 171"L x 132½"W x 29"H

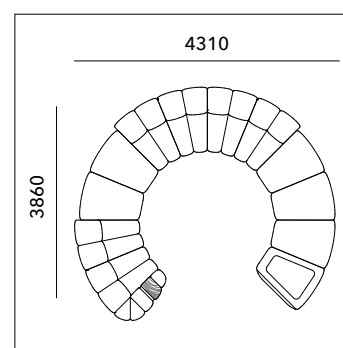


Art. TRÉSOR composition n. 10 - modular sofa cm 440X386

design by Castello Lagravinese Studio

Modular sofa available in first grade leather, nubuk leather, lizard printed leather, velvet or suede fabric. Sofa seats and sides with special stitching in polyurethane foam wrapped in down feather. Quilted armrests. Base and metal trims on the armrests in satined bronzed stainless steel with Giorgio Collection logo. Seat height cm. 42.

Size: cm. 440L x 386W x 74H
Size: 173½"L x 152"W x 29"H

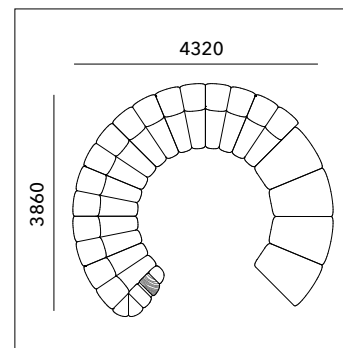


Art. TRÉSOR composition n. 11 - modular sofa cm 431X386

design by Castello Lagravinese Studio

Modular sofa available in first grade leather, nubuk leather, lizard printed leather, velvet or suede fabric. Sofa seats and sides with special stitching in polyurethane foam wrapped in down feather. Quilted armrest. Base and metal trims on the armrest in satined bronzed stainless steel with Giorgio Collection logo. Seat height cm. 42.

Size: cm. 431L x 386W x 74H
Size: 170"L x 152"W x 29"H

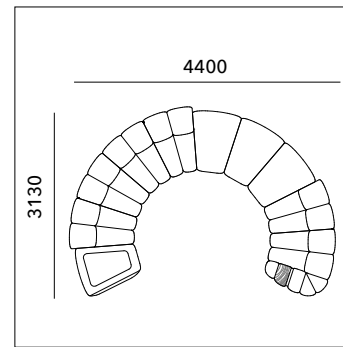


Art. TRÉSOR composition n. 12 - modular sofa cm 432X386

design by Castello Lagravinese Studio

Modular sofa available in first grade leather, nubuk leather, lizard printed leather, velvet or suede fabric. Sofa seats and sides with special stitching in polyurethane foam wrapped in down feather. Quilted armrest. Base and metal trims on the armrest in satined bronzed stainless steel with Giorgio Collection logo. Seat height cm. 42.

Size: cm. 432L x 386W x 74H
Size: 170½"L x 152"W x 29"H

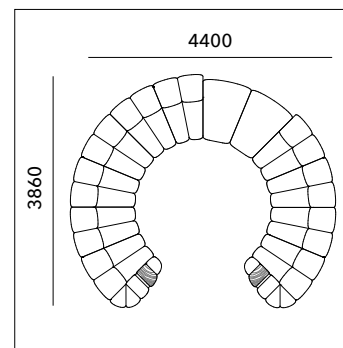


Art. TRÉSOR composition n. 13 - modular sofa cm 440X313

design by Castello Lagravinese Studio

Modular sofa available in first grade leather, nubuk leather, lizard printed leather, velvet or suede fabric. Sofa seats and sides with special stitching in polyurethane foam wrapped in down feather. Quilted armrest. Base and metal trims on the armrest in satined bronzed stainless steel with Giorgio Collection logo. Seat height cm. 42.

Size: cm. 440L x 313W x 74H
Size: 173½"L x 123½"W x 29"H

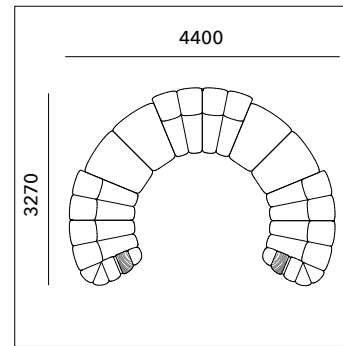


Art. TRÉSOR composition n. 14 - modular sofa cm 440X386

design by Castello Lagravinese Studio

Modular sofa available in first grade leather, nubuk leather, lizard printed leather, velvet or suede fabric. Sofa seats and sides with special stitching in polyurethane foam wrapped in down feather. Quilted armrests. Base and metal trims on the armrests in satined bronzed stainless steel with Giorgio Collection logo. Seat height cm. 42.

Size: cm. 440L x 386W x 74H
Size: 173½"L x 152"W x 29"H

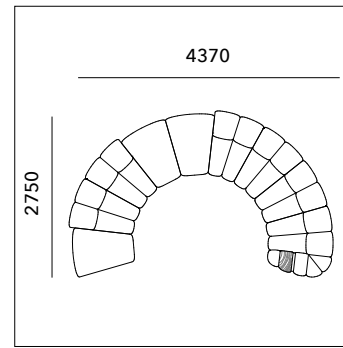


Art. TRÉSOR composition n. 15 - modular sofa cm 440X327

design by Castello Lagravinese Studio

Modular sofa available in first grade leather, nubuk leather, lizard printed leather, velvet or suede fabric. Sofa seats and sides with special stitching in polyurethane foam wrapped in down feather. Quilted armrests. Base and metal trims on the armrests in satined bronzed stainless steel with Giorgio Collection logo. Seat height cm. 42.

Size: cm. 440L x 327W x 74H
Size: 173½"L x 129"W x 29"H

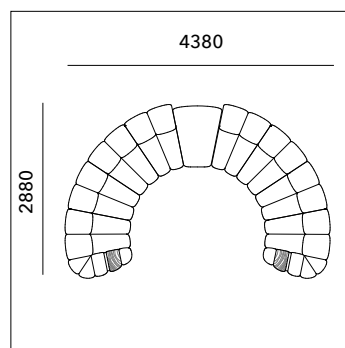


Art. TRÉSOR composition n. 16 - modular sofa cm 437X275

design by Castello Lagravinese Studio

Modular sofa available in first grade leather, nubuk leather, lizard printed leather, velvet or suede fabric. Sofa seats and sides with special stitching in polyurethane foam wrapped in down feather. Quilted armrest. Base and metal trims on the armrest in satined bronzed stainless steel with Giorgio Collection logo. Seat height cm. 42.

Size: cm. 437L x 275W x 74H
Size: 172"L x 108½"W x 29"H

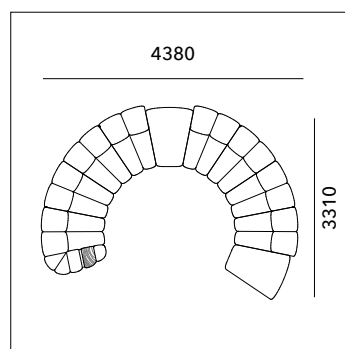


Art. **TRÉSOR composition n. 17 - modular sofa cm 438X288**

design by Castello Lagravinese Studio

Modular sofa available in first grade leather, nubuk leather, lizard printed leather, velvet or suede fabric. Sofa seats and sides with special stitching in polyurethane foam wrapped in down feather. Quilted armrests. Base and metal trims on the armrests in satined bronzed stainless steel with Giorgio Collection logo. Seat height cm. 42

Size: cm. 438L x 288W x 74H
Size: 172½"L x 113½"W x 29"H

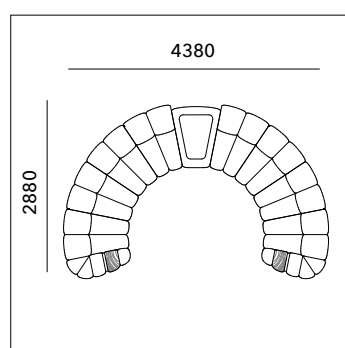


Art. **TRÉSOR composition n. 18 - modular sofa cm 438X331**

design by Castello Lagravinese Studio

Modular sofa available in first grade leather, nubuk leather, lizard printed leather, velvet or suede fabric. Sofa seats and sides with special stitching in polyurethane foam wrapped in down feather. Quilted armrest. Base and metal trims on the armrest in satined bronzed stainless steel with Giorgio Collection logo. Seat height cm. 42

Size: cm. 438L x 331W x 74H
Size: 172½"L x 130½"W x 29"H

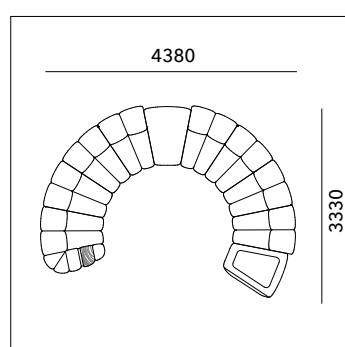


Art. **TRÉSOR composition n. 19 - modular sofa cm 438X288**

design by Castello Lagravinese Studio

Modular sofa available in first grade leather, nubuk leather, lizard printed leather, velvet or suede fabric. Sofa seats and sides with special stitching in polyurethane foam wrapped in down feather. Quilted armrests. Base and metal trims on the armrests in satined bronzed stainless steel with Giorgio Collection logo. Seat height cm. 42

Size: cm. 438L x 288W x 74H
Size: 172½"L x 113½"W x 29"H

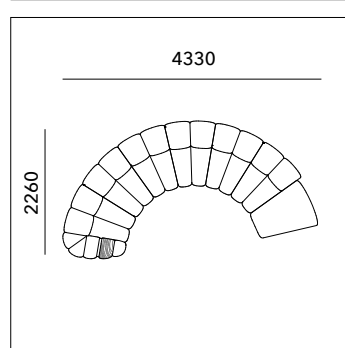


Art. **TRÉSOR composition n. 20 - modular sofa cm 438X333**

design by Castello Lagravinese Studio

Modular sofa available in first grade leather, nubuk leather, lizard printed leather, velvet or suede fabric. Sofa seats and sides with special stitching in polyurethane foam wrapped in down feather. Quilted armrest. Base and metal trims on the armrest in satined bronzed stainless steel with Giorgio Collection logo. Seat height cm. 42.

Size: cm. 438L x 333W x 74H
Size: 172½"L x 131½"W x 29"H

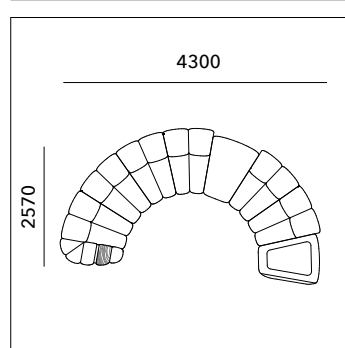


Art. **TRÉSOR composition n. 21 - modular sofa cm 433X226**

design by Castello Lagravinese Studio

Modular sofa available in first grade leather, nubuk leather, lizard printed leather, velvet or suede fabric. Sofa seats and sides with special stitching in polyurethane foam wrapped in down feather. Quilted armrest. Base and metal trims on the armrest in satined bronzed stainless steel with Giorgio Collection logo. Seat height cm. 42

Size: cm. 433L x 226W x 74H
Size: 170½"L x 89"W x 29"H



Art. **TRÉSOR composition n. 22 - modular sofa cm 430X257**

design by Castello Lagravinese Studio

Modular sofa available in first grade leather, nubuk leather, lizard printed leather, velvet or suede fabric. Sofa seats and sides with special stitching in polyurethane foam wrapped in down feather. Quilted armrest. Base and metal trims on the armrest in satined bronzed stainless steel with Giorgio Collection logo. Seat height cm. 42

Size: cm. 430L x 257W x 74H
Size: 169½"L x 101½"W x 29"H



Art. **TRÉSOR square pillow**

design by Castello Lagravinese Studio

Square pillow available in first grade leather, nubuk leather, lizard printed leather, velvet or suede fabric. Pillow in down feather.

Size: cm. 40L x 40W x 6TH
Size: 16"L x 16"W x 2½"H



Art. **TRÉSOR square pillow with "Giorgio Collection" logo**

design by Castello Lagravinese Studio

Square pillow available in first grade leather, nubuk leather, lizard printed leather, velvet or suede fabric. Pillow in down feather with Giorgio Collection logo.

Size: cm. 40L x 40W x 6TH
Size: 16"L x 16"W x 2½"H

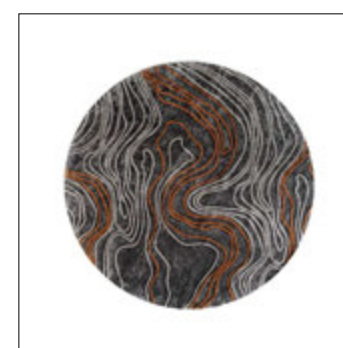


Art. **TRÉSOR quilted square pillow**

design by Castello Lagravinese Studio

Quilted square pillow available in first grade leather, nubuk leather, lizard printed leather, velvet or suede fabric. Pillow in down feather.

Size: cm. 40L x 40W x 6TH
Size: 16"L x 16"W x 2½"H

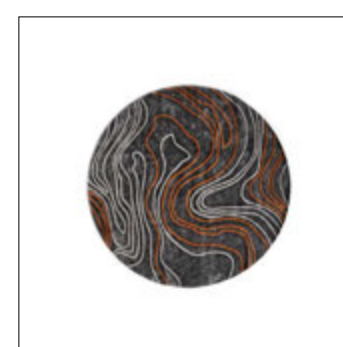


Art. **TRÉSOR big round carpet**

design by Castello Lagravinese Studio

Hand tufting carpet in 100% viscose. Custom made.

Size: diam. cm. 450
Size: diam. 177½"



Art. **TRÉSOR round carpet**

design by Castello Lagravinese Studio

Hand tufting carpet in 100% viscose. Custom made.

Size: diam. cm. 320
Size: diam. 126½"

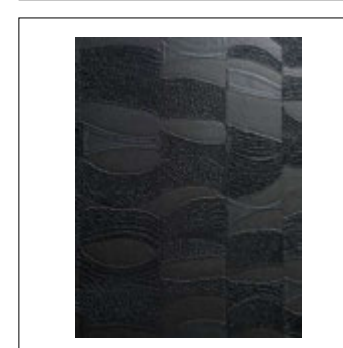


Art. **TRÉSOR rectangular carpet**

design by Castello Lagravinese Studio

Hand tufting carpet in 100% viscose. Custom made.

Size: cm. 400L x 280W
Size: 157½"L x 110½"W



Art. **TRÉSOR black wallpaper**

design by Castello Lagravinese Studio

Handmade wallpaper. Available in roll of:

Size: cm. 70L x 1000W
Size: 27½"L x 394"W



Art. **TRÉSOR beige wallpaper**

design by Castello Lagravinese Studio

Handmade wallpaper. Available in roll of:

Size: cm. 70L x 1000W
Size: 27½"L x 394"W



Art. **TRÉSOR grey wallpaper**

design by Castello Lagravinese Studio

Handmade wallpaper. Available in roll of:

Size: cm. 70L x 1000W
Size: 27½"L x 394"W



Art. **Pomegranate painting**

design by Nadezhda Olefir

Square painting in wooden structure with stainless steel frame. Epoxy resin with UV protection base in combination of "Swarovski" crystals, hand-cut clear mirror glass, red Murano glass and gold leaves.

Size: cm 140W x 140H x 4TH
Size: 55½"W x 55½"H x 2"TH



Art. **Scorpio painting**

design by Nadezhda Olefir

Rectangular painting in wooden structure with stainless steel frame. Epoxy resin with UV protection base in combination of "Swarovski" crystals and hand-cut clear mirror glass.

Size: cm 170W x 110H x 4TH
Size: 67"W x 43½"H x 2"TH



Nadezhda Olefir x GC

Nadezhda Olefir was born in Russia in 1977. She has been gravitated toward art creation since childhood. It all started as a hobby interest that led the artist to attend various sculpture and drawing classes and later on to the professional education in art and crafts. Nadezhda is the author of a unique technology for creating modern interior works, the basis of which is a collaboration between jewelry and stained-glass art. Her works are created outside the standard painting techniques. Design paintings and interior panels animalistic plots come true due the symbiosis of new techniques, methods, materials and textures: mirror stained glasses, colored glass fusing, bas-reliefs, texturizing, inlays and coatings with gold and silver. The artist creations reflect thoughts and emotions with shimmering crystals, volumetric shapes, contrasting colors and harmonious compositions. Nadezhda founded her own premium art gallery and a school named "Art of Glitter", where more than 3000 students attend every year. Nadezhda's works were presented on the prestigious International and Russian exhibitions, such as Design Décor, Luxury HITS, Batimat, ArchMoscow, ISaloni WorldWide and the artist is a multiple winner of various awards as the "Artist of the Year" according to such magazines as Elite magazine and FBjournal.

SWAROVSKI



Certificate

Swarovski ignites Dreams since 1895 with the finest crystal embellishments. Available in a myriad of colors, effects, shapes and sizes, crystals from Swarovski offer designers a fabulous palette of inspiration. Our Ingredient Branding solution, by granting the usage of our iconic seal, provides a world class branding solution to our top-tier customers.

GIORGIO COLLECTION SRL

meets the standards set by Swarovski for its exclusive Ingredient Branding Partners and has therefore been approved as an Ingredient Branding Partner.

As provided in the Crystals from Swarovski Ingredient Brand Logo Licence Agreement, Ingredient Branding Partners are permitted to use the distinctive Swarovski seal depicted below on products, product packaging and in communication materials, for their products sold under the brand

GIORGIO COLLECTION

and embellished with 100% genuine Swarovski crystals.



The contract is based on a sustainable business relationship with D. Swarovski Distribution GmbH or its affiliated distribution companies, on the agreement of defined standards and upon regular review.

Milan, April 9th 2021

Date and Place of Issue

April, 8th 2026

Expiry Date

D. Swarovski Distribution GmbH

SEAL.CRYSTALS-FROM-SWAROVSKI.COM

© 2021 D. Swarovski Distribution GmbH Swarovski® is a registered trademark of Swarovski AG.

ART DIRECTION
PRODUCT DESIGN
SET DESIGN & STYLING

CASTELLO LAGRAVINESE STUDIO

PHOTOGRAPHY
STEFANO TONICELLO

PHOTO EDITING
LARA MASOLO

PREPRESS
WWW.COLOREDITING.IT

PRINTED IN ITALY
GRAFICHE MANZANESI